



APPLICATIONS:

- Industrial applications, Raw material plants, Cement plants, Steel plants Thermal power plants etc.

INSTALLATION:

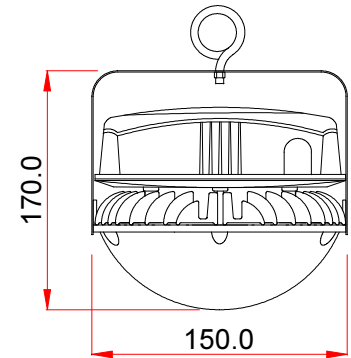
- Mounting on Eye bolt.

SPECIFICATION:

- **Housing:** Single piece pressure die cast powder coated housing.
- **Visor:** Polycarbonate
- **Gasket:** Synthetic gasket.
- **Hardware:** S.S hardware.
- **Ingress Protection: IP66.**

FEATURES:

- Separate lamp and driver compartment.
- Optimized led orientation for better light distribution.
- Better heat dissipation.
- Integrated constant current driver.
- Operating temperature -10°C to 50°C.
- 120° Beam angle provides uniform illumination over working plane.
- Ease of maintenance as driver compartment has access from back side.
- High efficiency thermal design.
- Wide spread of light to cover maximum area.
- Instant start, No flickering, No humming. Safe and reliable.



ELECTRICAL PARAMETER:

Dimension in mm, Tolerance +/- 2mm

Product code	Cat Ref	Voltage (V)	Input Power (W)	Color Temp °K	Color Rendering(Ra)	THD	Power Factor
PID1003003	PCGLWGLX 40	240	40	5700	> 70	< 10 %	> 0.95